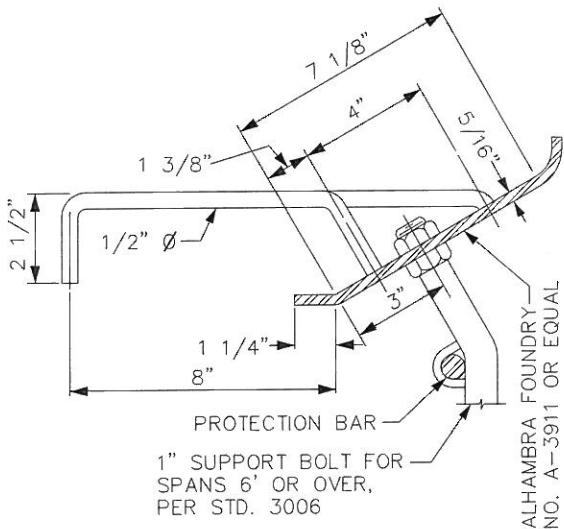
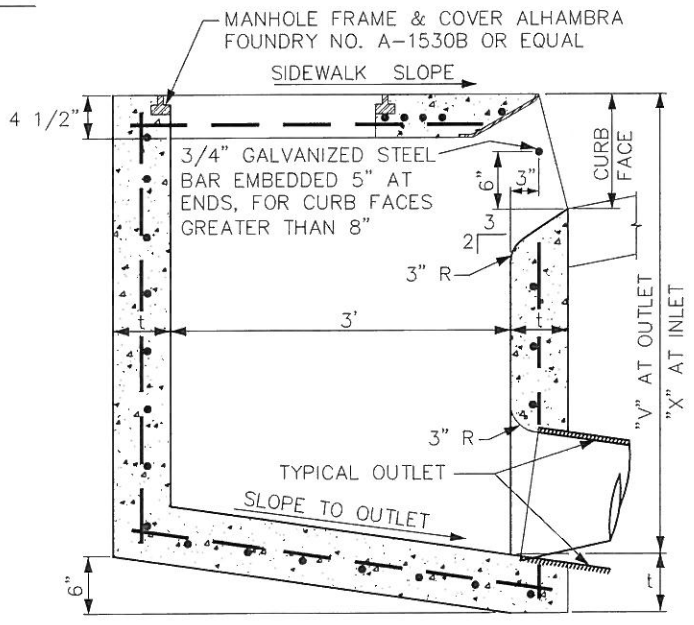


PLAN



ANCHOR DETAIL



SECTION A-A

NOTES

1. ALL EXPOSED METAL PARTS SHALL BE GALVANIZED.
2. "V" = 3.5' UNLESS OTHERWISE SPECIFIED.
3. OUTLET PIPE MAY BE PLACED IN ANY POSITION AROUND WALLS.
4. CURB FACE AT C.B. OPENING SHALL BE THAT OF THE STANDARD CURB PLUS 4" OR AS OTHERWISE SHOWN.
5. CONCRETE SHALL BE CLASS 560-C-3250 PER SECTION 201-1 S.S. PWC.
6. SEE STANDARD DRAWING NO 3007 FOR STEEL REINFORCEMENT AND WALL THICKNESS.



APPROVED BY:				
<i>Louis Abi-Younes</i> 4485 3.3.15				
LOUIS ABI-YOUNES, PE, CITY ENGINEER RCE DATE				
RECOMMENDED:				
<i>Raymond L. E.</i> 59059 7/27/15				
RAYMOND L. E., PE, ASST CITY ENGINEER RCE DATE				
REV	DESCRIPTION	BY	APP'D	DATE

CITY OF ONTARIO	
CATCH BASIN NO. 2	STANDARD DRAWING NUMBER 3003