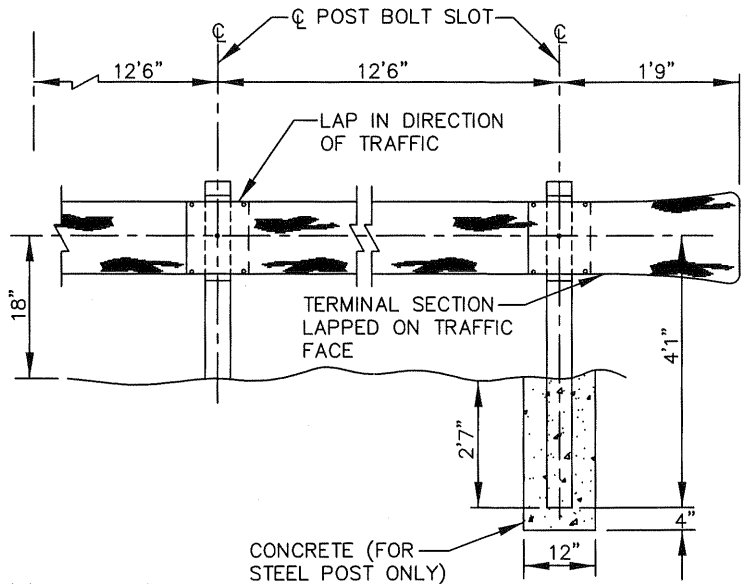
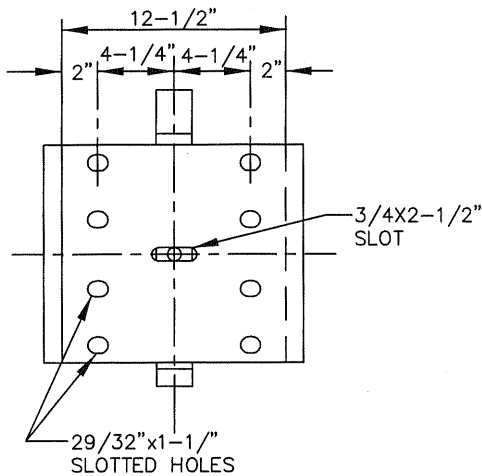


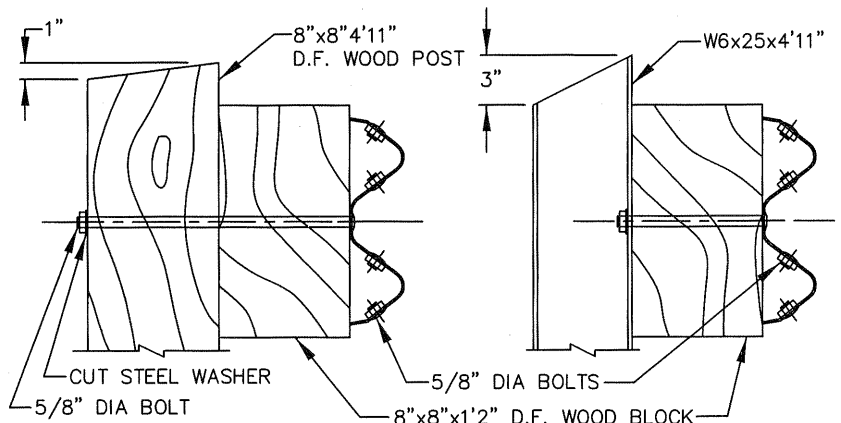
TERMINAL SECTION



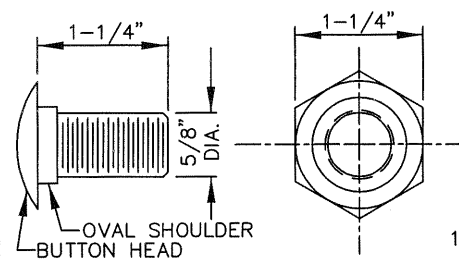
INSTALLATION



RAIL SPLICE

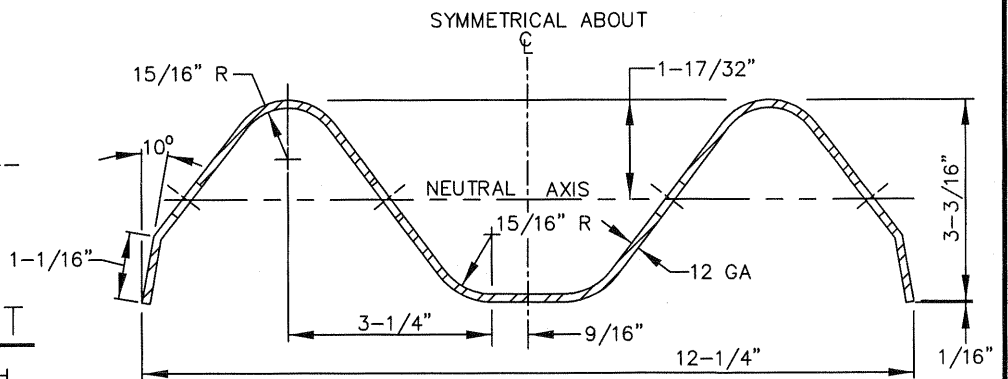


ARRANGEMENT OF POSTS



SPLICE BOLT & NUT

POST BOLT: SIMILAR EXCEPT FOR LENGTH



SECTION THRU RAIL ELEMENT



APPROVED BY:		<i>John P. Sullivan</i>	
JOHN P. SULLIVAN CITY ENGINEER	24079	8/08/06	RCE DATE
RECOMMENDED:		<i>Terri Blaylock</i>	
ASSISTANT CITY ENGINEER	44485	8/07/06	RCE DATE
REV	DESCRIPTION	BY	APP'D DATE

CITY OF ONTARIO	
TEMPORARY DEAD END STREET GUARD RAIL - DETAILS	
STANDARD DRAWING NUMBER	1311