



ONTARIO FIRE DEPARTMENT FIRE PROTECTION STANDARD

FIRE LANE (Fire Apparatus Access Road) IDENTIFICATION
STANDARD #B-001 EFFECTIVE 05-17-99 PAGES 5

PURPOSE:

To establish consistent guidelines for identification of fire lanes.

SCOPE:

This standard shall apply to all fire lanes utilized by the Ontario Fire Department.

AUTHORITY:

The 2016 California Fire Code (CFC) Section 503.3

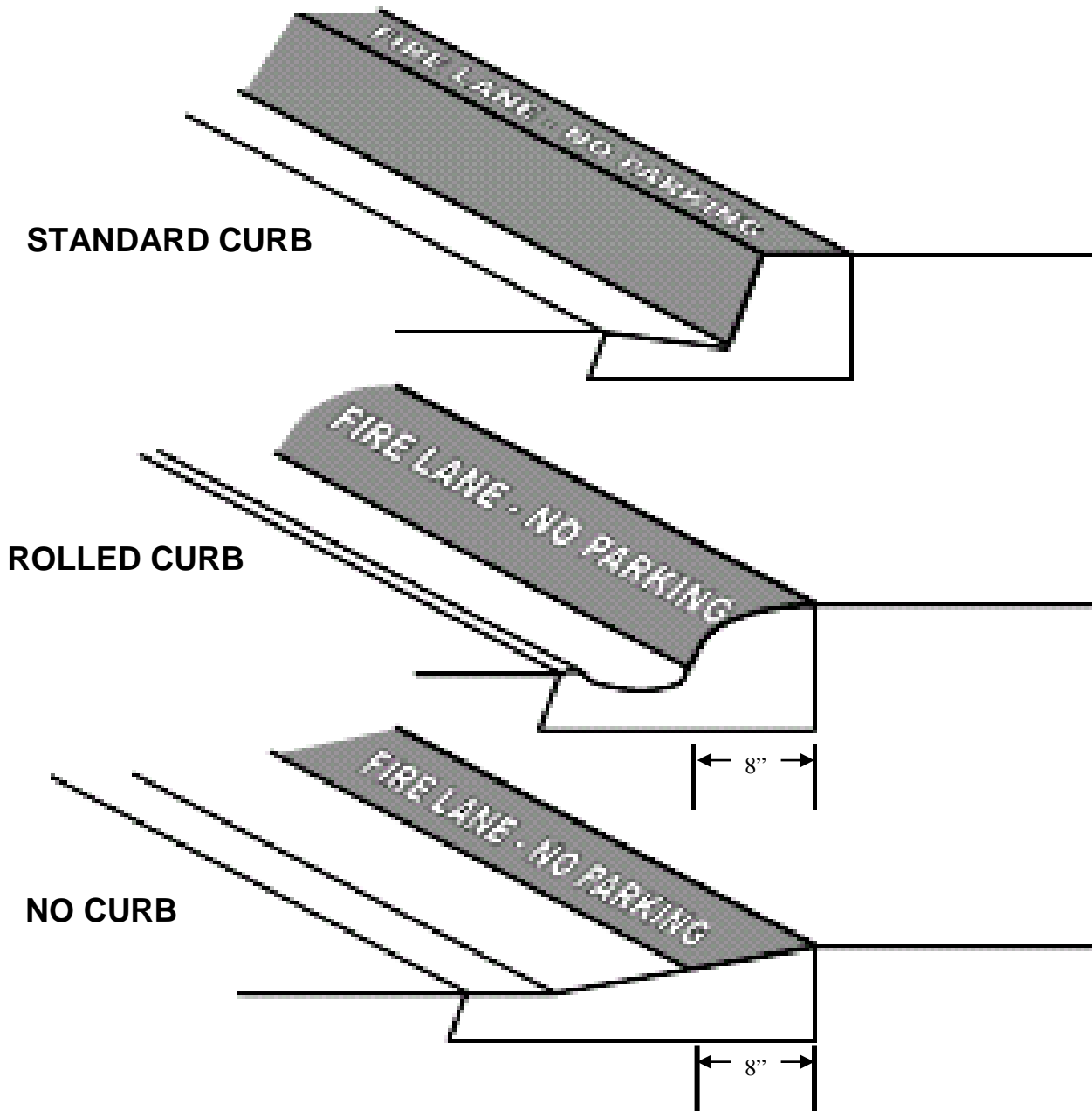
GENERAL:

1. Dimensions shown are minimum. Signs shall be red on white except as shown. Curb lettering shall be white on red.
2. Detailed plans of the proposed fire lane markings shall be provided to the Ontario Bureau of Fire Prevention for approval.
3. Signs and curb lettering shall be subject to the approval of the Bureau of Fire Prevention.
4. Signs and/or curb lettering shall be located at fifty (50) foot intervals or portion thereof as deemed necessary by the Ontario Bureau of Fire Prevention.
5. All raised curbs in "NO PARKING" areas shall be painted RED with acceptable red curb paint and lettered to these standards.

EXCEPTION: Approved signs may be used in place of curb lettering.

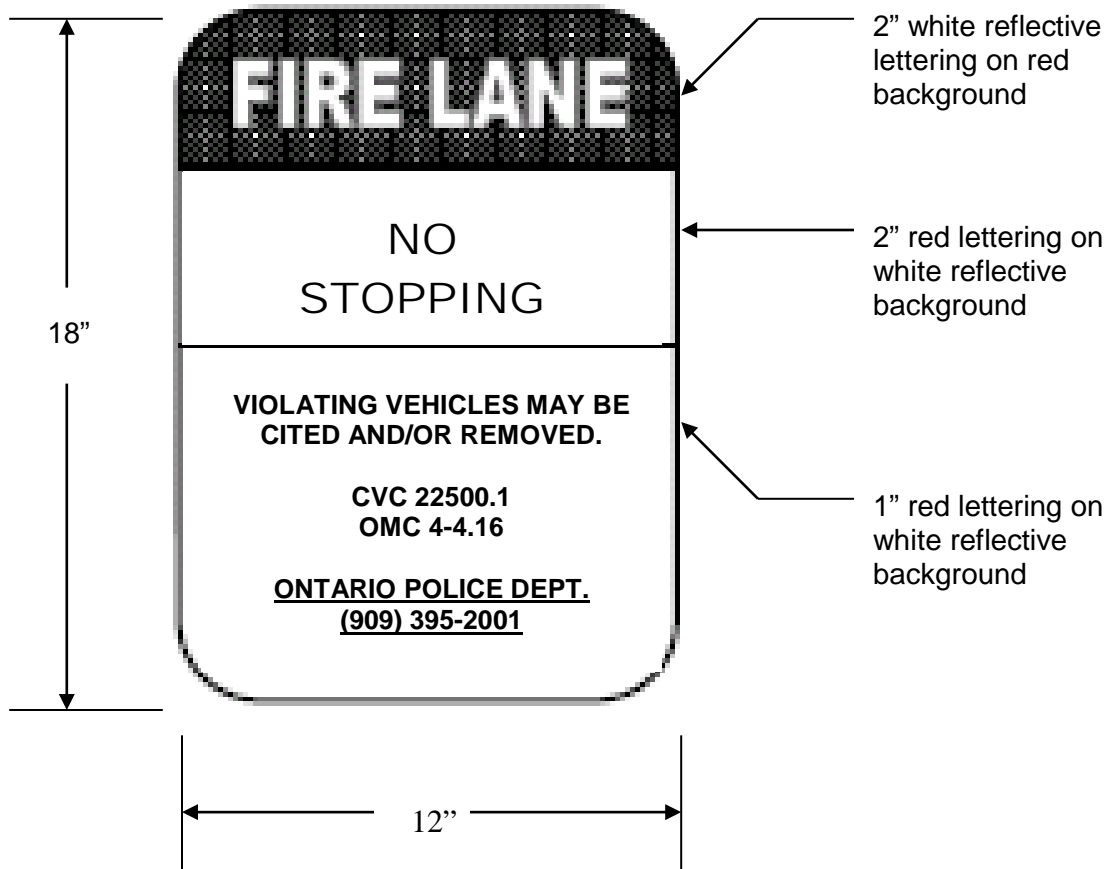
6. Signs shall be installed per of this standard as approved by the Ontario Bureau of Fire Prevention. Where signs have protruding edges in pedestrian areas, they shall be 7' minimum from the bottom edge to grade level.
7. CVC and OMC Section numbers shall be changed from time-to-time as needed to reflect recent code changes.

FIRE LANE IDENTIFICATION – RED CURBS



1. Provide fire lane entrance sign(s) as required by the Ontario Bureau of Fire Prevention.
2. Curbs shall be painted OSHA safety red.
3. "FIRE LANE – NO PARKING" shall be painted on top of curb in 3" white lettering at a spacing of 50' on center or portion thereof.

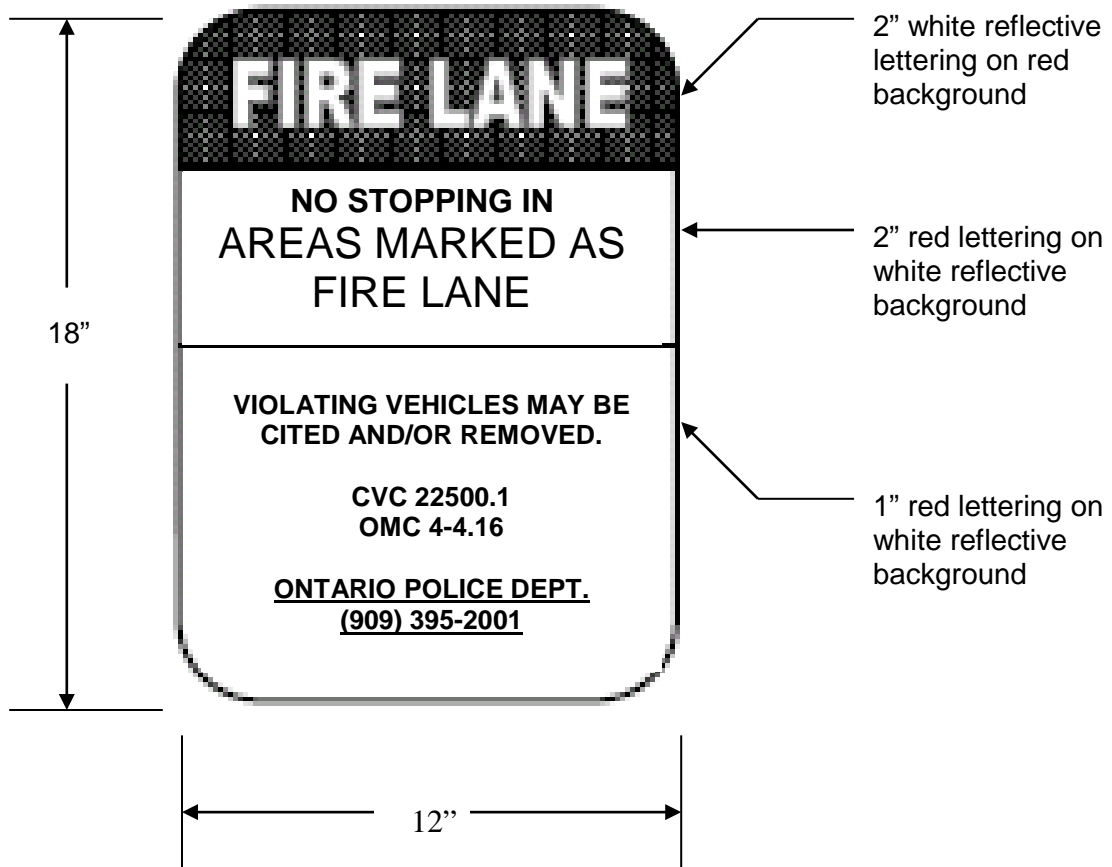
SPECIFICATIONS FOR FIRE LANE NO PARKING SIGNS



All sign and lettering dimensions shown are minimums.

Signs shall be securely mounted facing the direction of travel and clearly visible to oncoming traffic entering the designated area. Signs shall be made of durable material and installed per this Standard.

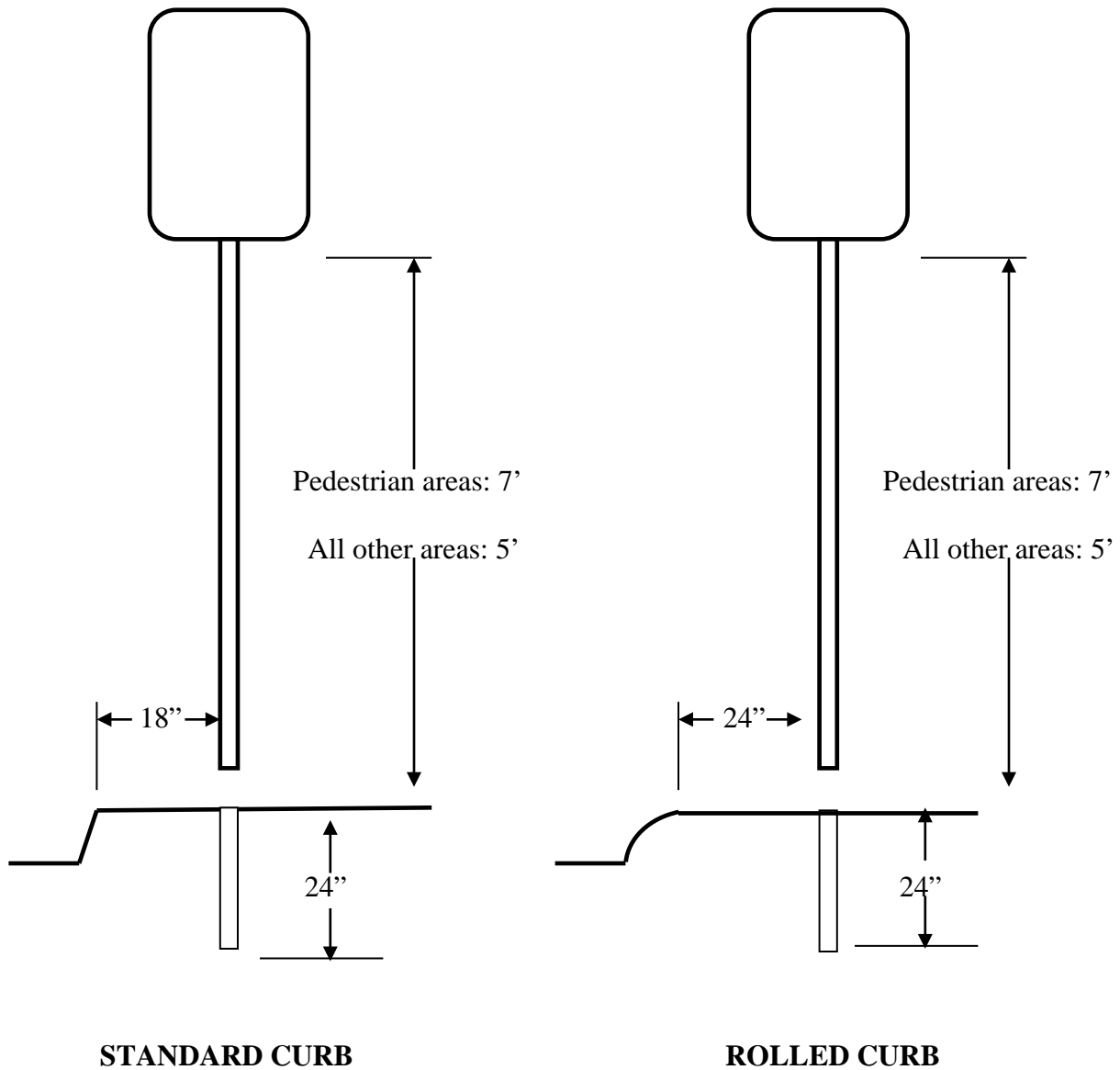
SPECIFICATIONS FOR FIRE LANE ENTRANCE SIGNS



All sign and lettering dimensions shown are minimums.

Signs shall be securely mounted facing the direction of traffic entering the designated area. Signs shall be made of durable material and installed per this Standard.

MOUNTING SPECIFICATIONS FOR FIRE LANE ENTRANCE AND NO PARKING SIGNS



Signs shall be mounted facing the direction of vehicular travel.

Signs may be mounted on existing posts or buildings where the centerline of the sign is no more than 24" from the edge of the roadway.

Depth of bury shall be a minimum of 24"